

TONONE

technical specifications

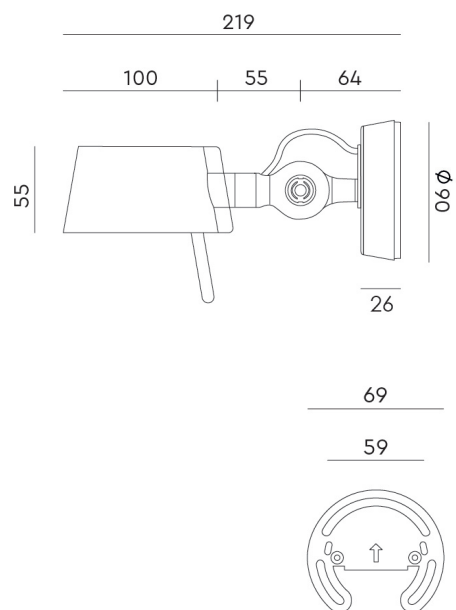
BOLT10 WALL

Design by Anton de Groof, 2025



Bolt10 combines light and design in a sleek, modern form. With integrated LED lighting, this lamp provides bright, energy-efficient illumination. The adjustable shade offers maximum flexibility, allowing you to direct the light exactly where you need it. The iconic brass wingnut lets you easily adjust the lamp to the perfect position. Bolt10 is dimmable, so you can adjust the light intensity with a single press. With a color temperature of 2700 Kelvin, the lamp emits warm white light that transitions from bright and functional to softly dimmed, perfect for any occasion. Bolt10 is available in three versions: floor lamp, desk lamp and wall lamp. Made from powder-coated steel and aluminum with an extra matte finish, it offers a sleek and refined design.

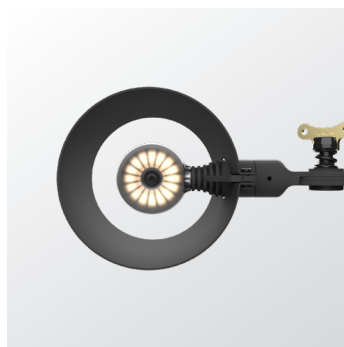
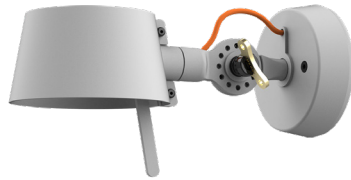
Type	Wall lamp
Environment	Indoor
Material	Steel & aluminum
Weight	0,4 kg
Voltage	220–240 V
Watt	4 Watt
IP	20
Lightsource	Integrated LED source
Lumen	640
Kelvin	2700K
CRI	90
Dimmable	Mains dimmable / phase cut



Packaging	
Weight	0,7 kg
Length	27 cm
Width	18 cm
Height	15 cm

TONONE

technical specifications



Article number



shadow black

7040



misty white

7041



burgundy red

7042